



Hot cupboards

Design Guidelines

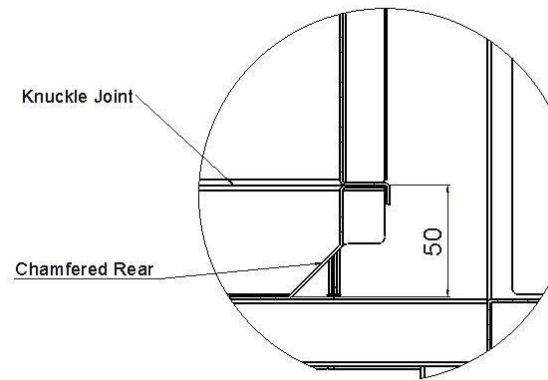


The heated units are now modular and internally tanked.

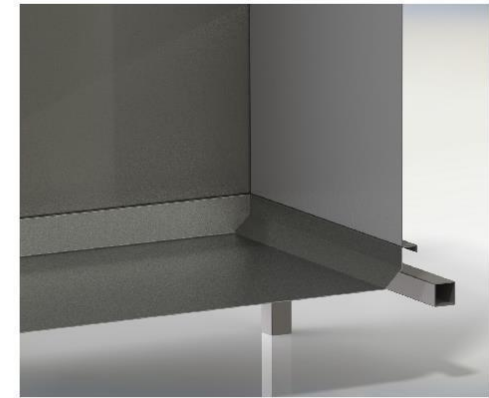
They are manufactured with a chamfer to the rear of the base which will make cleaning easier.



All hotcupboards have the same internal construction.



DETAIL B
SCALE 1 : 1.5



- The above diagram indicates the sides sitting onto the base shelf which are chamfered and easier to clean and maintain.



Shine Hotcupboard Spec

There are 3 different specifications for our units.

Premium

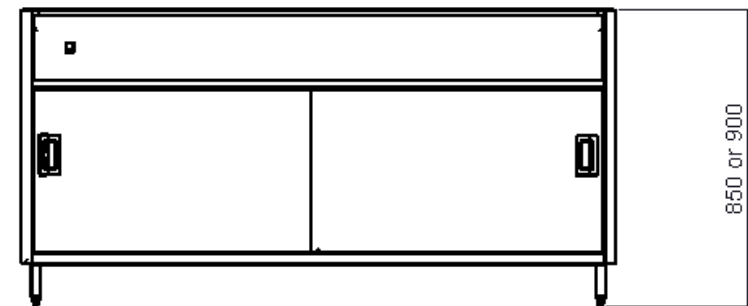
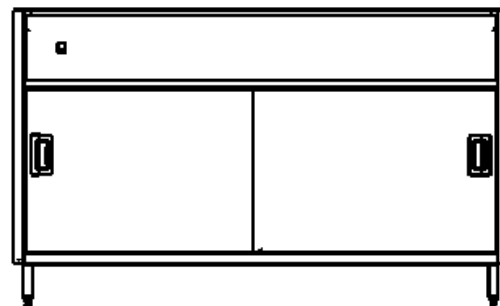
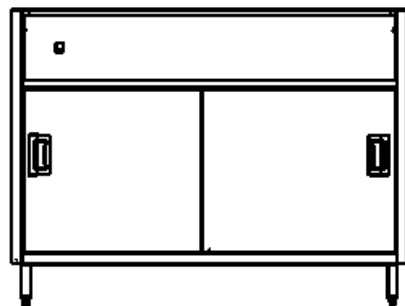
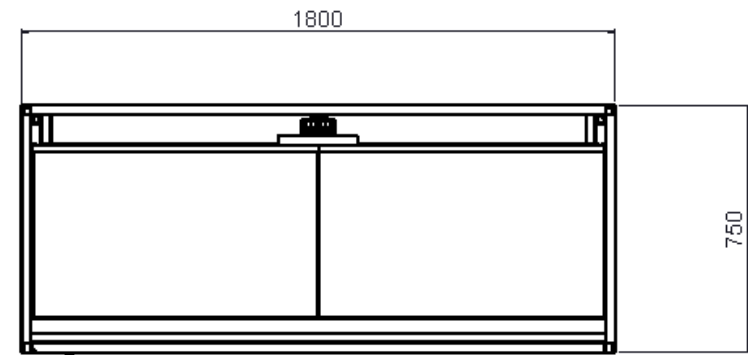
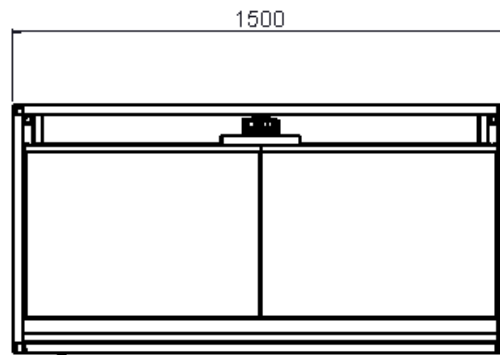
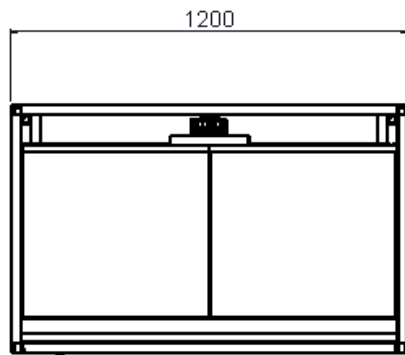
1.2mm 304 Grade Panels, 304 Grade Framework

Standard:

1mm 304 Grade Panels, 304 Grade Framework

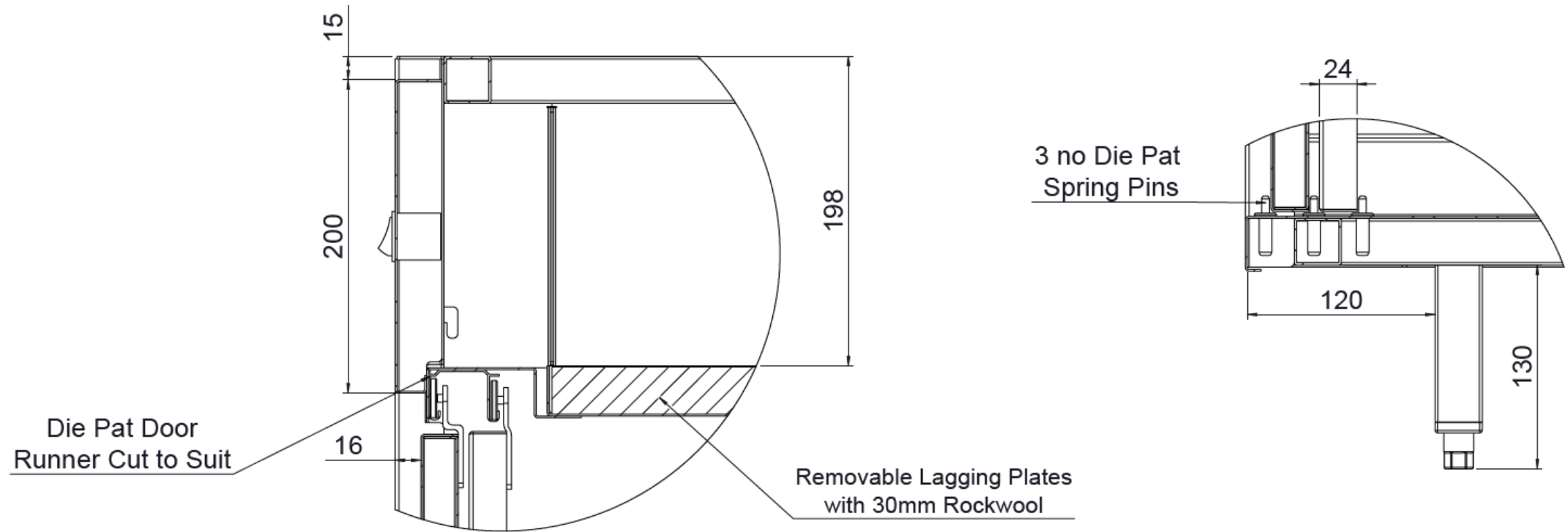
Shine Lite:

1mm 430 Grade Panels, 430 Grade Framework



The Hotcupboards are manufactured as 3/4 or 5 bay. Each unit is in set sizes of 1200, 1500 & 1800.

Height is in 2 sizes of 850 & 900mm when the topwork is on.



The doors are hung on Die pat door runners and slide through 3no spring clips.