



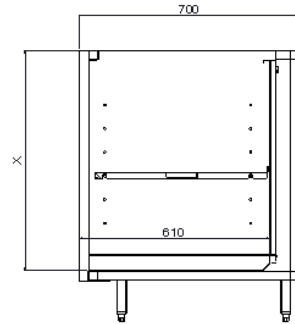
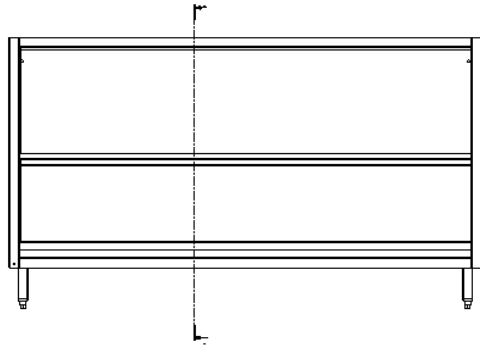
Ambient Units

Design Guidelines



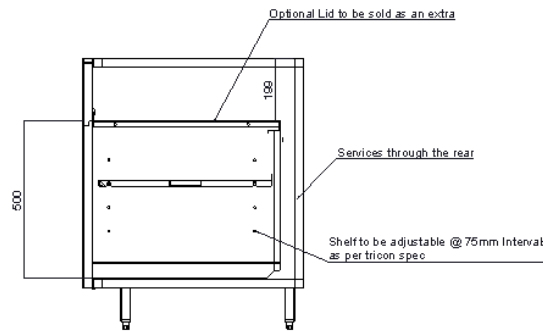
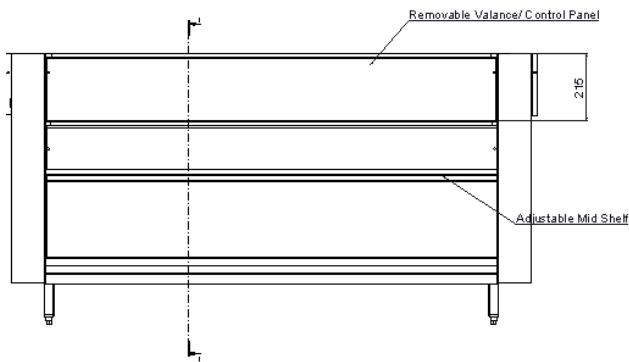
The base units are of modular design and internally units are tanked which has a chamfer to the rear making cleaning easier. This feature is found throughout our product range.

These units can be manufactured with or without a valance/horizontal control panel.

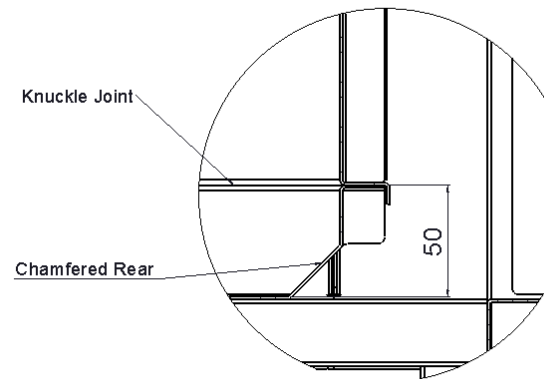


Dimension of 605mm to match hotupboards to allow Gastro Container to fit in

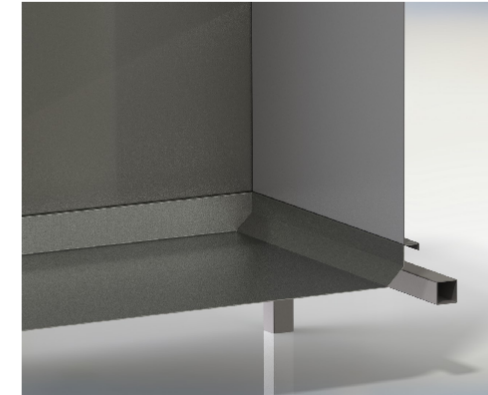
SECTION 13



SECTION 14



DETAIL B
SCALE 1 : 1.5



- The joint between base and sides will mean no raw edges on show. The rear of the base shelf will be chamfered and ensures internal spills are contained and directed forward of the kick plinth making it easier to clean and maintain.

Ambient Specification:

There are 3 different specifications for our units.

Premium

1.2mm 304 Grade Panels, 304 Grade 30mm Framework

Standard

1mm 304 Grade Panels, 304 Grade 30mm Framework

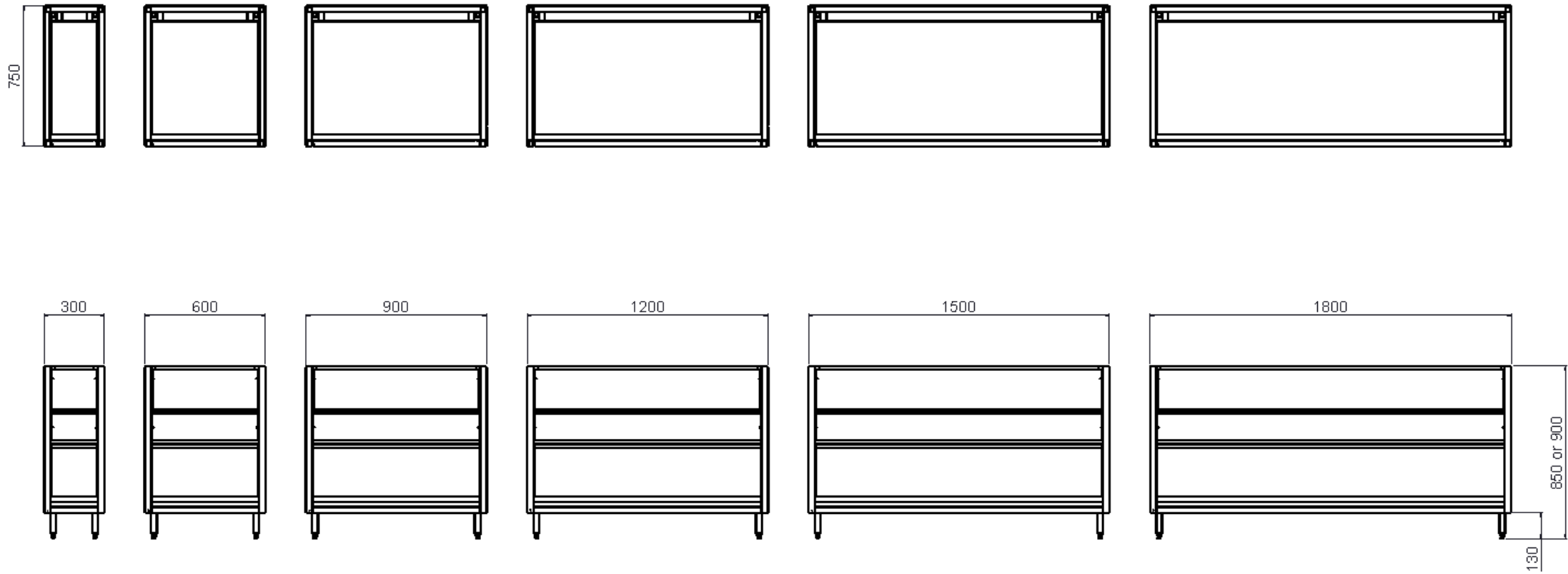
Budget

1mm 430 Grade Panels, 430 Grade 30mm Framework



There is an option of two types of doors inset handle on the budget range, or folded for standard and premium range.

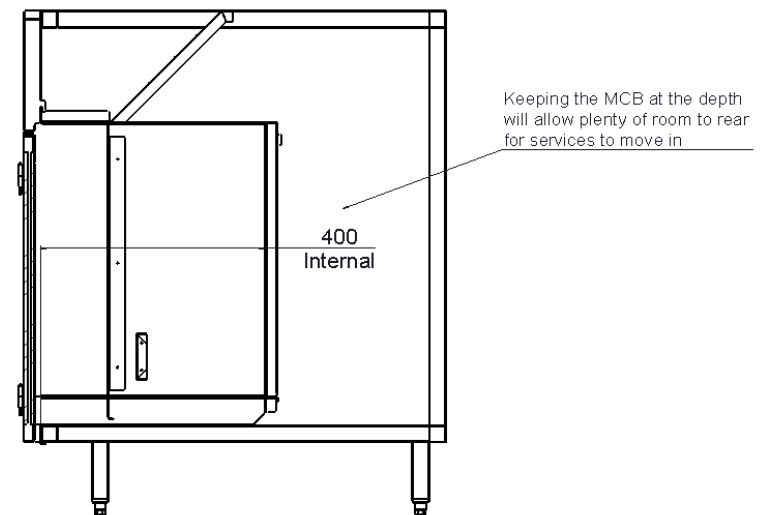
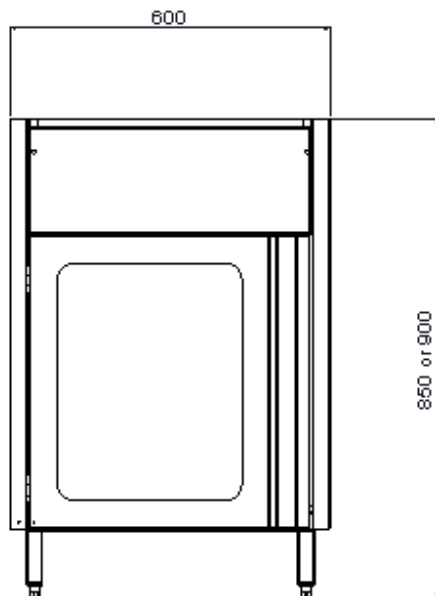
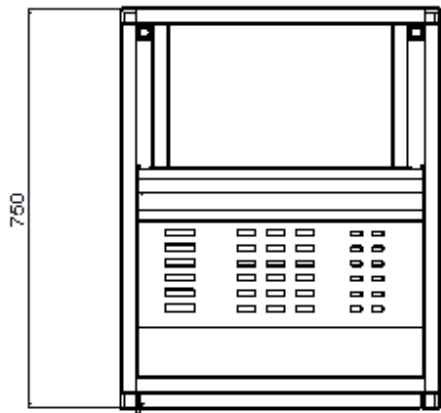




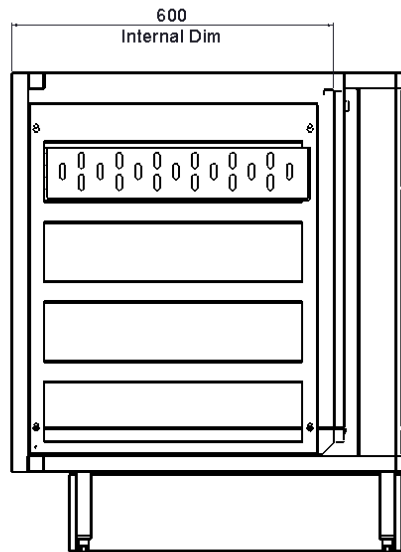
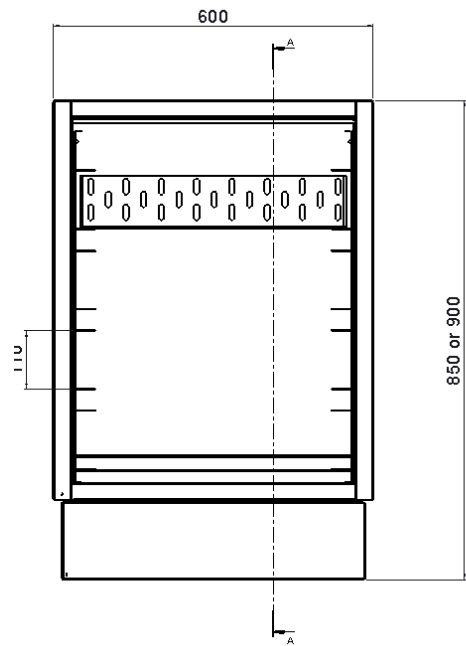
Manufactured in set sizes of: 300, 600, 900, 1200, 1500, 1800mm or bespoke made to measure sizes at an additional cost.

Ambient units that are over 1200mm with doors will be manufactured using 2 units to ensure the individual door size does not exceed 600mm.

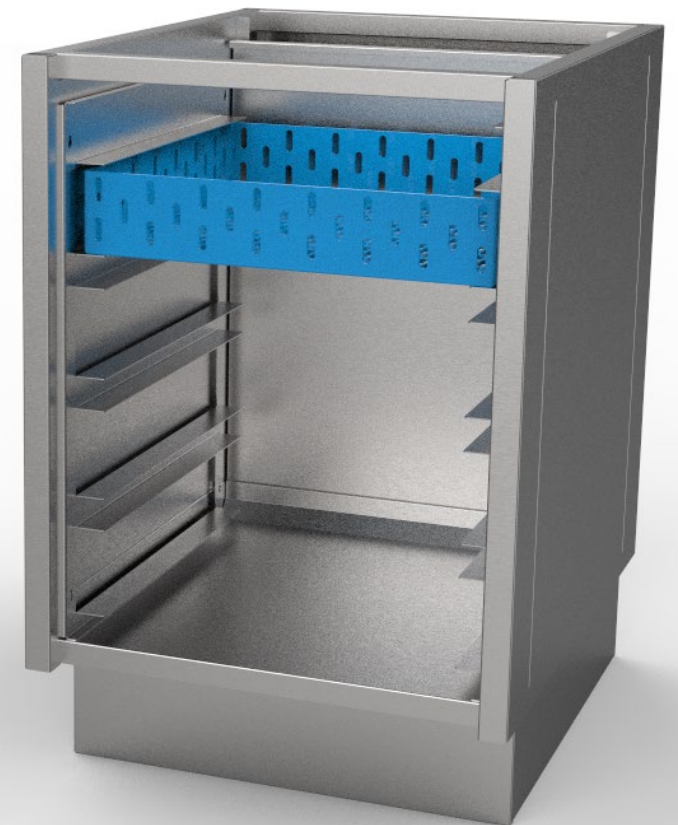
The MCB units will be similarly sized in 300mm breaks as all other units.



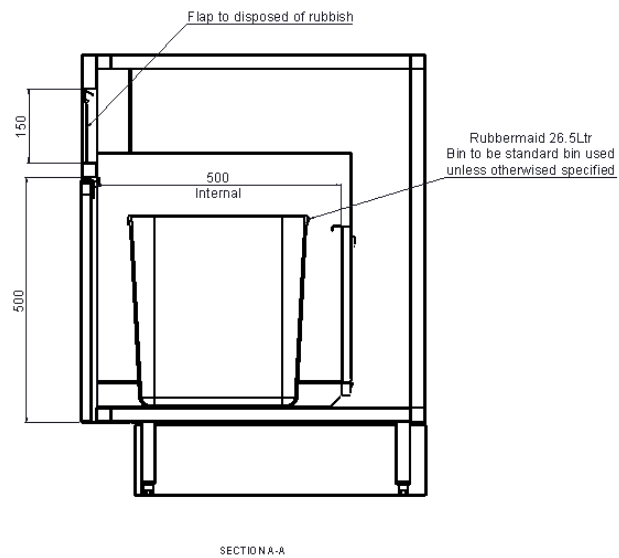
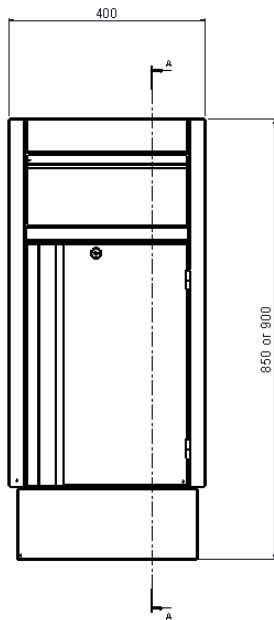
Our ambient basket holder have removable rack runners for ease of cleaning & interchangeable to accommodate basket configurations normally 500x500.



SECTION A-A
SCALE 1:5

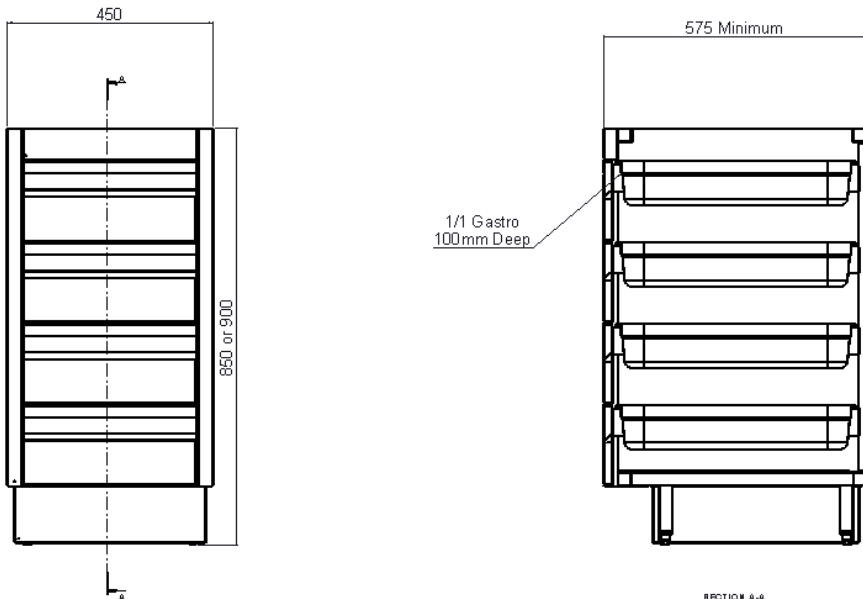


Our new bin storage unit is manufactured to accommodate standard Rubbermaid 26.5Ltr bin, unless otherwise specified.



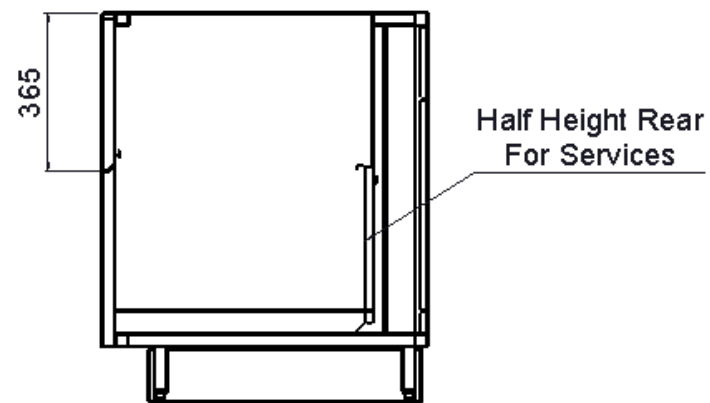
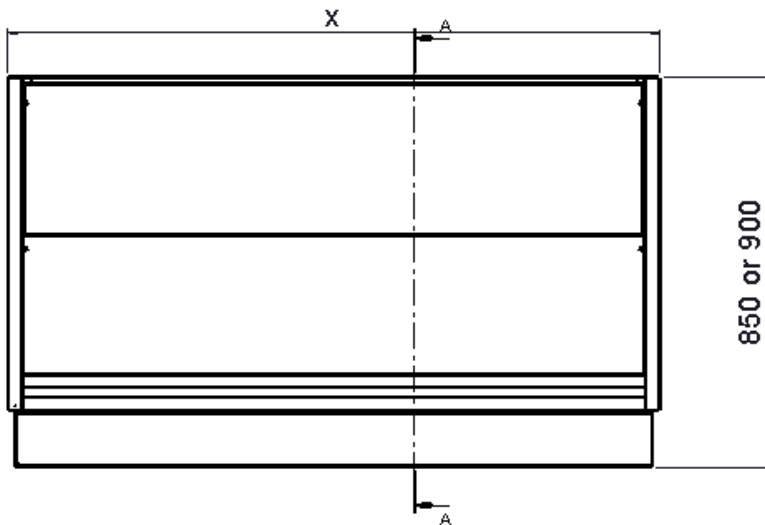
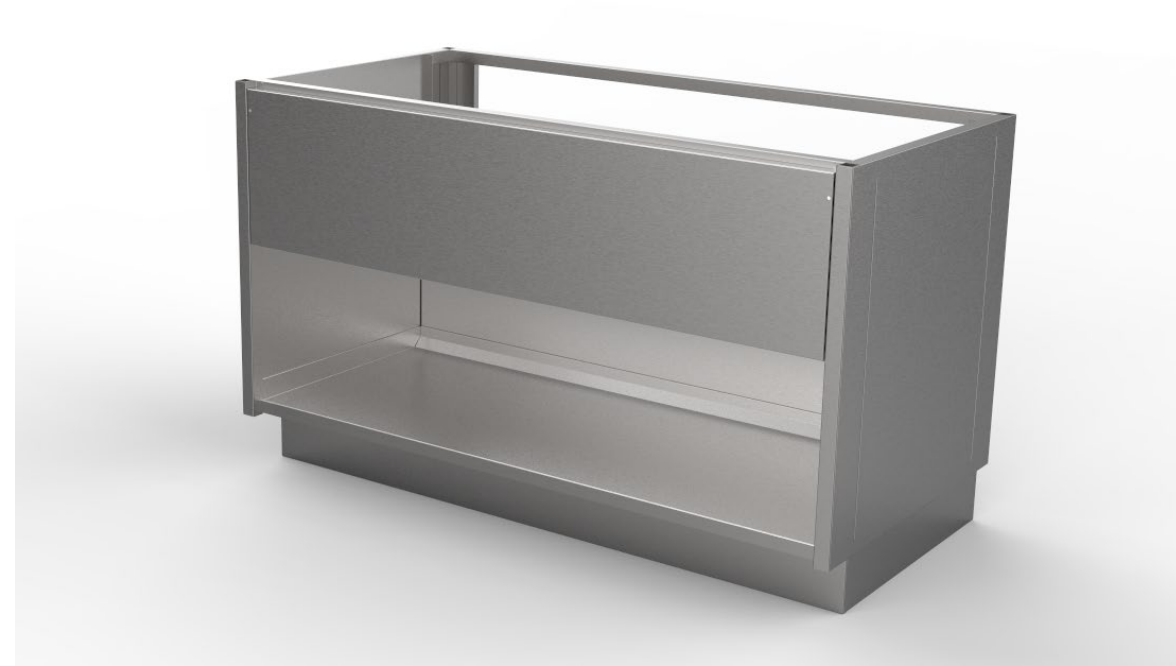
Our units come in configurations of 3,4 & 5 drawer units, our drawer liners come as 1/1 gastronorms size as standard.

If gastronorms are not needed then the same sizing guidelines as our other ambient units apply.



Our Sink bases incorporate a tall valance to hide & protect the sink and drain components. There is no mid shelf to allow access to the sink components.

Sink bases would start at 600mm and move upwards in 300mm increments as per the standard ambient sizes.



SECTION A-A

Chamfered Ambient Unit available
at any angle.

